

SFP-1FE Series

1-port Fast Ethernet SFP module



Features and Benefits

- Digital Diagnostic Monitor Function
- IEEE 802.3u compliant
- Differential PECL inputs and outputs
- TTL signal detect indicator
- Hot pluggable LC duplex connector
- Class 1 laser product; complies with EN 60825-1

Certifications



Introduction

The SFP-1FE Series 1-port Fast Ethernet SFP modules are available as optional accessories for a wide range of Moxa Ethernet switches.

Specifications

Ethernet Interface

| | | | | | |
|---------------|--|-------------------------|--------------------------|-------|--------------|
| Ports | 1 | | | | |
| Connectors | Duplex LC connector | | | | |
| Optical Fiber | | | Fast Ethernet SFP | | |
| | | | SFP-M | SFP-S | SFP-L |
| | Transceiver Type | | Multi-Mode | | Single-mode |
| | Fiber Cable Type | OM1/ OM2 | 62.5/125, 50/125 μ m | | G.652 |
| | | | 800 MHz x km | | G.652 |
| | Typical Distance | | 2 km | 4 km | 40 km |
| | Wavelength | Typical (nm) | 1310 | | 1310 |
| | | TX Range (nm) | 1280 to 1340 | | 1280 to 1340 |
| | | RX Range (nm) | 1100 to 1650 | | 1100 to 1600 |
| | Optical Power | TX Range (dBm) | -8 to -18 | | 0 to -5 |
| | | RX Range (dBm) | -3 to -32 | | -3 to -34 |
| | | Link Budget (dB) | 14 | | 29 |
| | | Dispersion Penalty (dB) | 2 | 3 | 1 |
| | <p>Note: When connecting the SFP-S or L, we recommend using an attenuator to prevent damage caused by excessive optical power.</p> | | | | |

Power Parameters

| | |
|-------------------|----------|
| Power Consumption | Max. 1 W |
|-------------------|----------|

Environmental Limits

| | |
|--|----------------------------|
| Operating Temperature | -40 to 85°C (-40 to 185°F) |
| Storage Temperature (package included) | -40 to 85°C (-40 to 185°F) |
| Ambient Relative Humidity | 5 to 95% (non-condensing) |

Standards and Certifications

| | |
|----------|--------------------------|
| Safety | CE, FCC, TÜV, UL 60950-1 |
| Maritime | DNV-GL |

Warranty

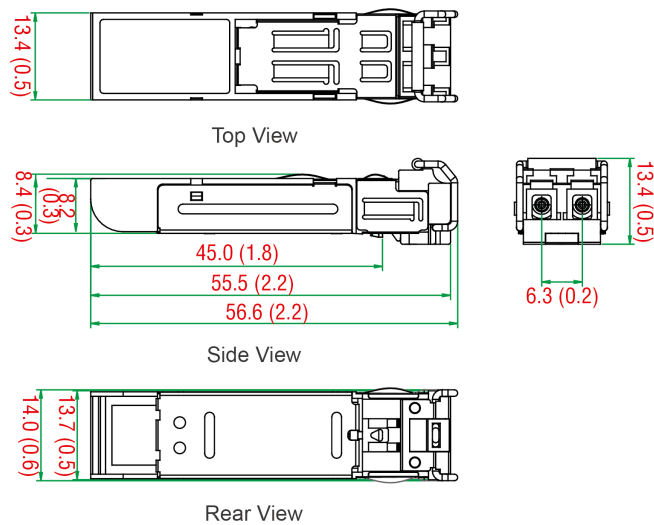
| | |
|-----------------|--|
| Warranty Period | 5 years |
| Details | See www.moxa.com/warranty |

Package Contents

| | |
|---------------|---------------------------|
| Device | 1 x SFP-1FE Series module |
| Documentation | 1 x warranty card |

Dimensions

Unit: mm (inch)



Ordering Information

| Model Name | 100BaseFX Ports | Connector | Transmission Distance | Operating Temp. |
|--------------|-----------------|-----------|-----------------------|-----------------|
| SFP-1FEMLC-T | 1 x Multi-mode | LC | 2 km/4 km | -40 to 85°C |
| SFP-1FESLC-T | 1 x Single-mode | LC | 40 km | -40 to 85°C |
| SFP-1FELLC-T | 1 x Single-mode | LC | 80 km | -40 to 85°C |

© Moxa Inc. All rights reserved. Updated Nov 12, 2018.

This document and any portion thereof may not be reproduced or used in any manner whatsoever without the express written permission of Moxa Inc. Product specifications subject to change without notice. Visit our website for the most up-to-date product information.